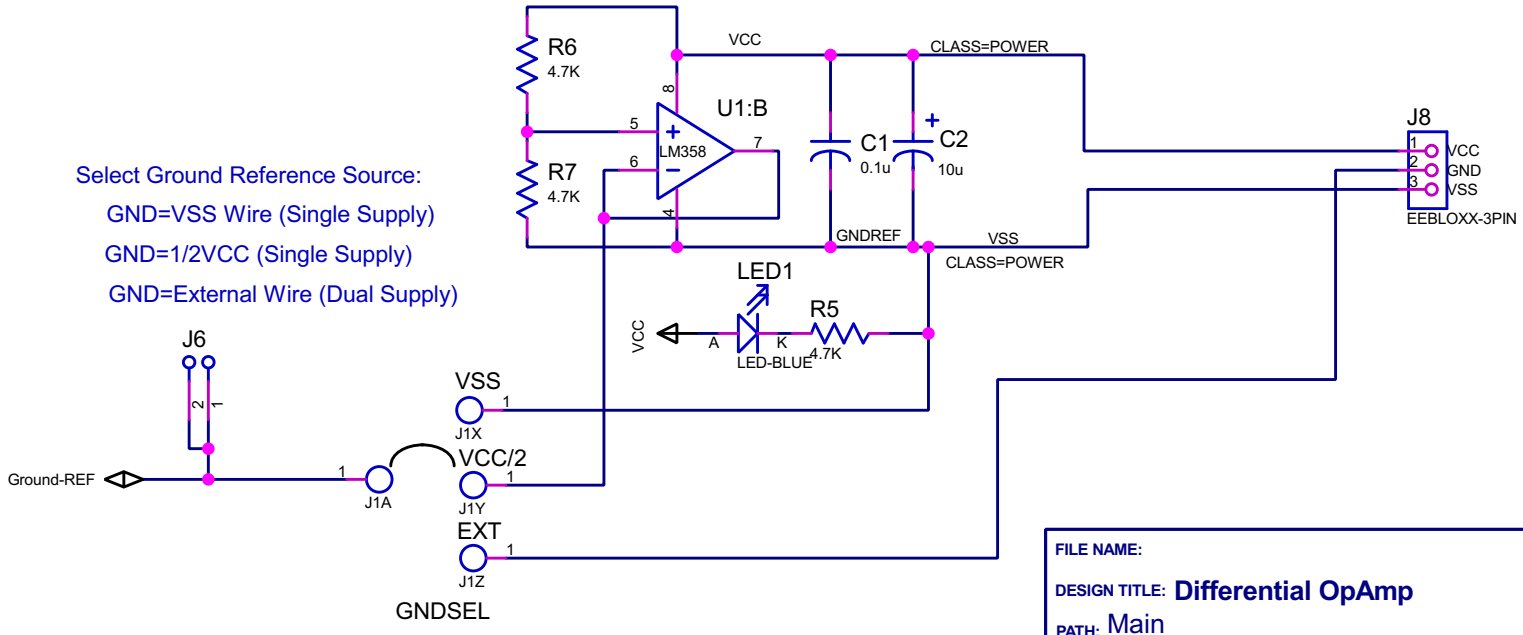


Select Ground Reference Source:
 GND=VSS Wire (Single Supply)
 GND=1/2VCC (Single Supply)
 GND=External Wire (Dual Supply)



FILE NAME:	DATE:
DESIGN TITLE: Differential OpAmp	1/22/2016
PATH: Main	PAGE:
	1 of 4
BY: WH	TIME: 8:29:34 PM
REV: 1	