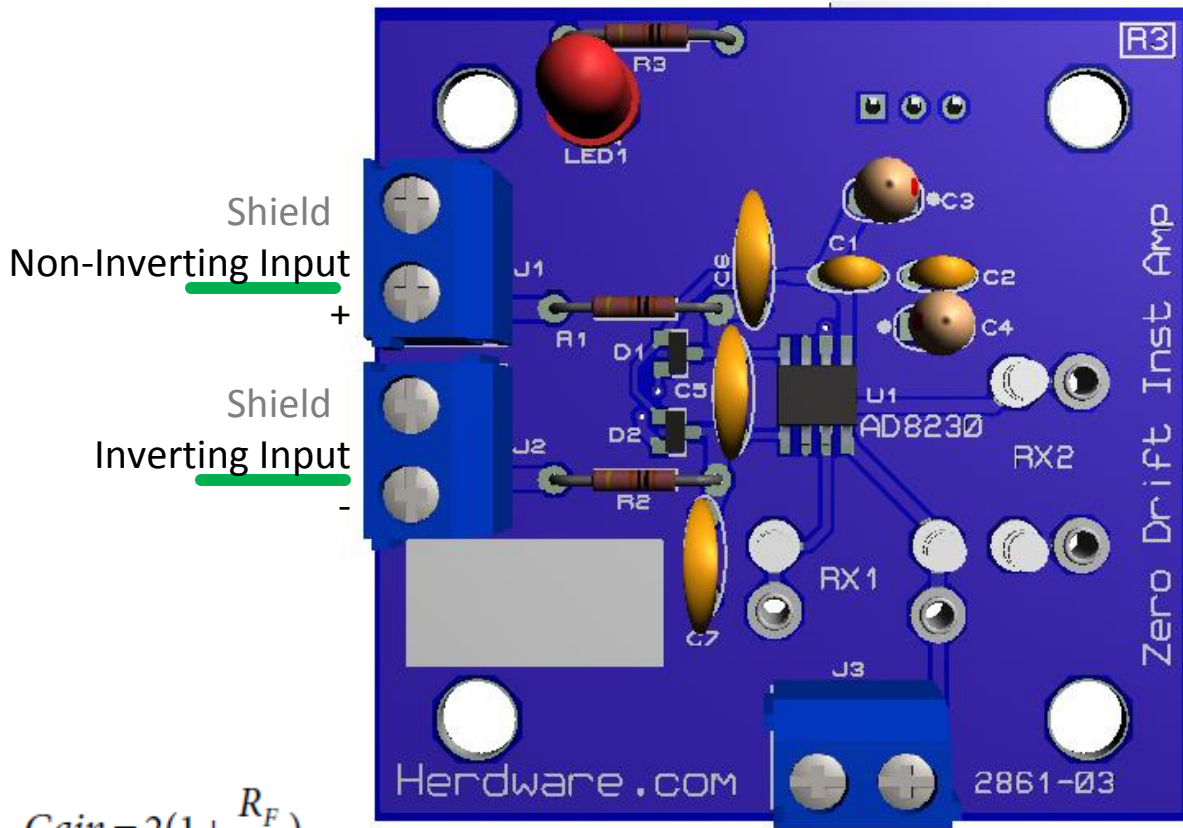
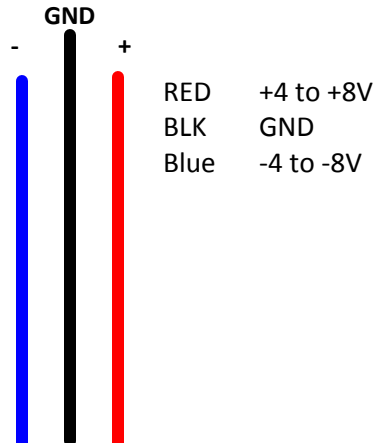


# Zero Drift Instrumentation Amp – AD8230

Supply voltage range: ±4 V to ±8 V

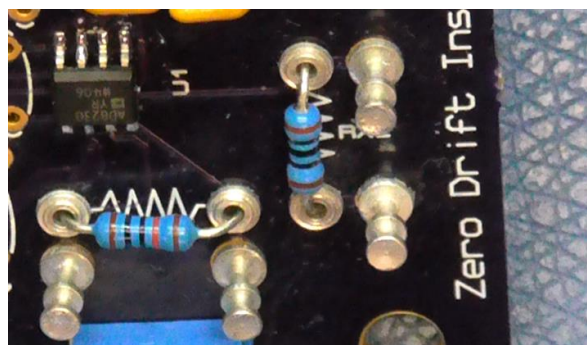
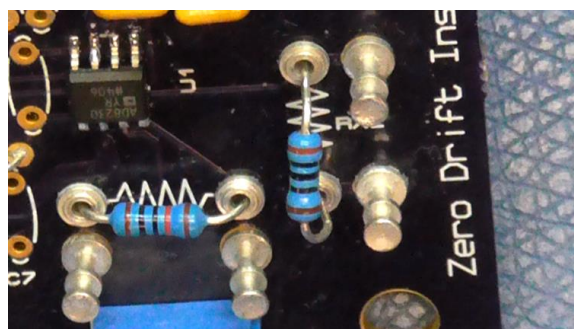
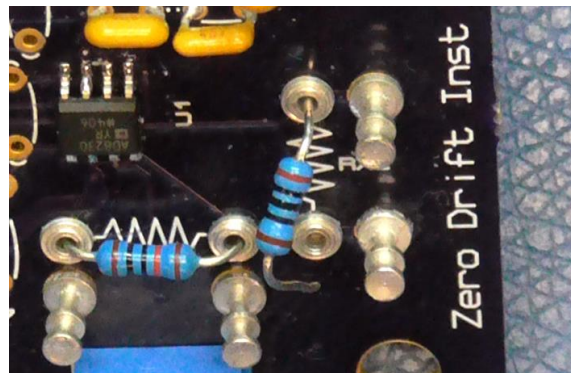


$$Gain = 2\left(1 + \frac{R_F}{R_G}\right)$$

Gain	R <sub>F</sub>	R <sub>G</sub>	Actual Gain
2	0 Ω (short)	None	2
10	8.06 kΩ	2 kΩ	10
50	12.1 kΩ	499 Ω	50.5
100	9.76 kΩ	200 Ω	99.6
200	10 kΩ	100 Ω	202
500	49.9 kΩ	200 Ω	501
1000	100 kΩ	200 Ω	1002



Precision terminals allow component replacement

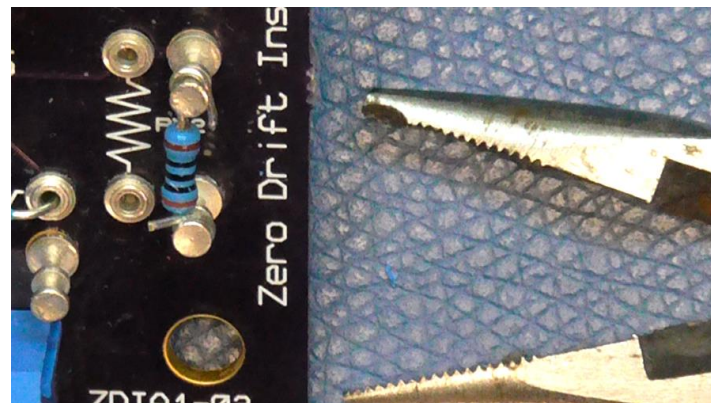


Final component selection may be soldered in place

Turret terminals allows solderable component selection



Leads are wrapper around turret terminals



Final component selection may be soldered in place

