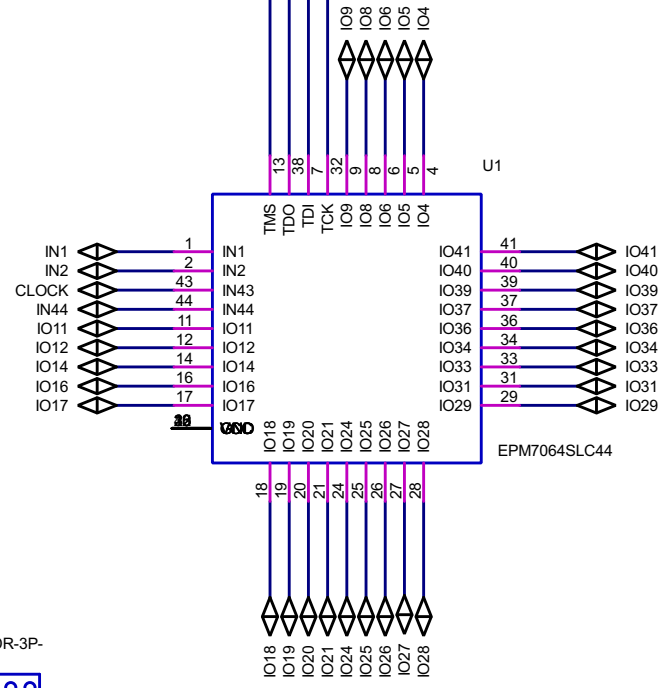
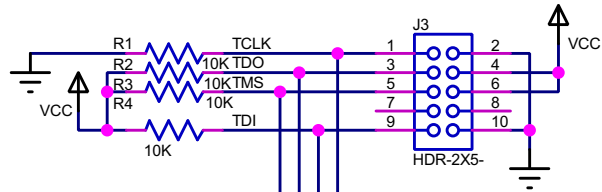
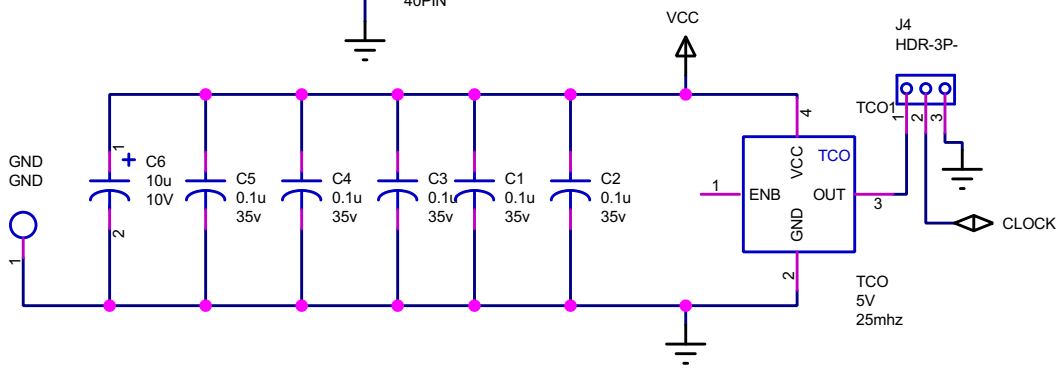
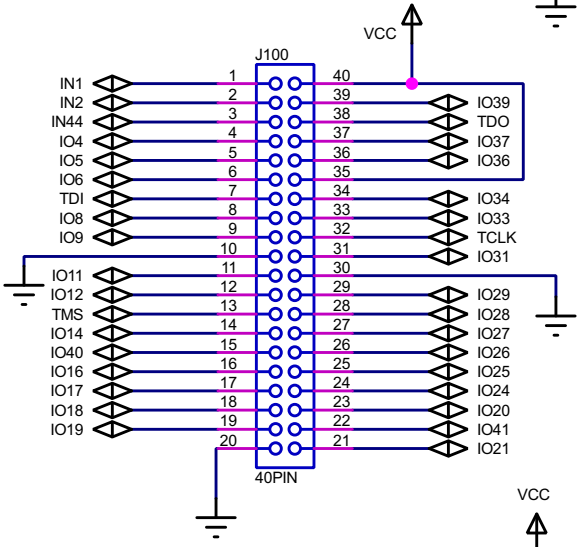
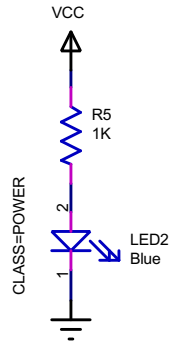
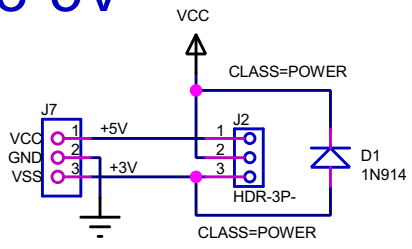


3-5V



3-5V

FILE NAME:	DATE:
DESIGN TITLE: SimpleCPLD.pdsprj	4/13/2016
PATH:	PAGE:
BY: Bil Herd	1 of 1
REV: 3.0	TIME: 8:51:10 PM