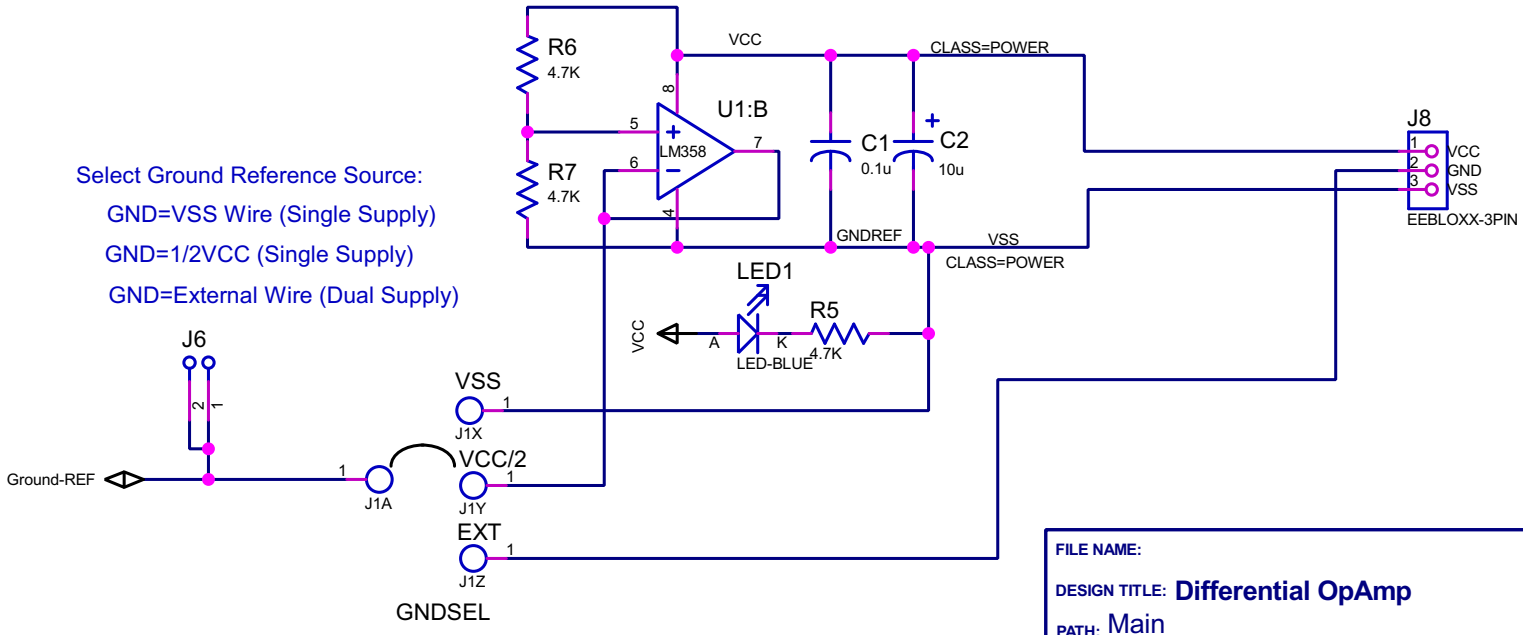


Select Ground Reference Source:  
 GND=VSS Wire (Single Supply)  
 GND=1/2VCC (Single Supply)  
 GND=External Wire (Dual Supply)



FILE NAME:	DATE:
DESIGN TITLE: <b>Differential OpAmp</b>	<b>1/23/2016</b>
PATH: Main	PAGE:
	1 of 4
BY: WH	TIME: 3:54:27 PM
REV: 1	